

Model TOUCAN DUO

VERTICAL PERSONNEL LIFTS



MORE ECONOMIC

- Electric drive for zero emissions and near-silent running indoors.

MORE PRODUCTIVE

- Boost efficiency with direct electric drive.

MORE ACCESS

- Compact dimensions mean easier access to and within confined spaces.

SMART DESIGN

- Simplify and accelerate stockpicking and inventory control with dual entry platform.

Standard Features

- 0.75 m x 0.65 m (W x L) Operator platform with double side entry
- 0.75 m x 0.50 m (W x L) Powered material tray
- Safety interlocked controls
- Full proportional drive joystick control with integral thumb steer switch
- Dedicated material tray controls
- Lanyard attachment anchor
- Battery condition indicator on platform
- Direct electric two wheel drive
- Brushless AC drive motors
- Brake release
- Low maintenance non-rotating extruded aluminium mast
- Passive pothole protection system
- Non marking solid rubber tyres
- 0.78 m wide frame
- Manual Descent
- 2 degree Tilt indicator and alarm
- Key lock main power switch
- Hour meter
- Transportation tie-down points
- Lifting eye for crane hook
- Fork truck lift points
- Horn
- Descent alarm
- Xenon strobe lights

Standard Specifications

Power Source	
• Electrical system	24V DC
• Batteries - deep cycle	24V - 180 A/hr
• Dual Voltage 110/240V Charger	24V - 15A
• Drive motors	2 motors 24V AC - 320 W
Hydraulic System	
• Hydraulic system	6 L
Tyres	
• Tyres (non-marking solid)	300 x 80



Accessories & Options

- Battery condition indicator c/w low charge function cut-out & hourmeter
- 220 A/hr AGM Batteries
- Low Temperature Hydraulic Oil
- Food Compatible Hydraulic Oil
- Synthetic Biodegradable Hydraulic Oil
- Special paint colour

Model TOUCAN DUO

VERTICAL PERSONNEL LIFTS

Performance

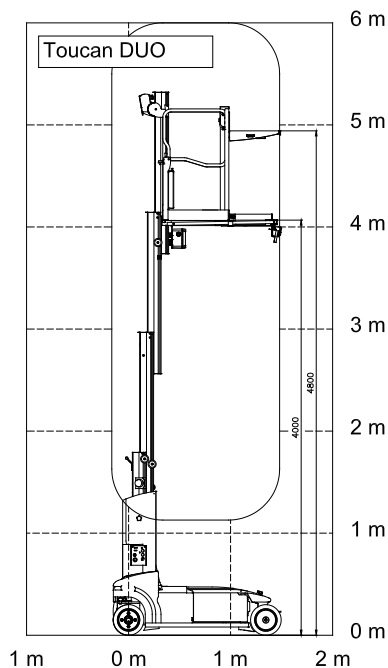
• Working Height	6.00 m
• Platform Capacity ¹	130 kg
• Platform Size (L x W)	0.65 m / 0.75 m
• Elevating Shelf Size (L x W)	0.50 m / 0.75 m
A. Overall Width	0.78 m
B. Stowed Height	1.79 m
C. Overall Length	1.65 m
D. Wheelbase	1.35 m
E. Ground Entry Height	0.54 m
F. Ground Clearance	8 cm
• Machine weight *	1,000 kg
• Maximum Ground Bearing Pressure	13.10 kg/cm ²
• Drive Speed - Lowered	4 km/h
• Turning Radius (outside)	1.64 m
• Turning Radius (inside)	0.00 m
• Gradeability	20%

¹ Capacities shown are for 1 person indoors only

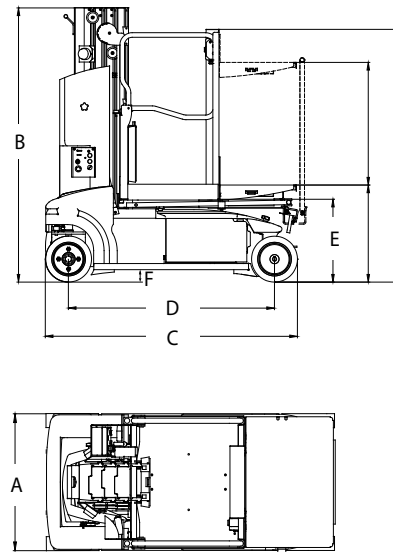
* Certain options or country standards may increase weight and/or dimensions.



Reach Diagram



Dimensions



IMPORTANT

JLG is continually researching and developing products and reserves the right to make modifications without prior notice. All data in this document is indicative. Certain options or country standards will increase weight. Specifications may change to meet country standards or with the addition of optional equipment.

Due to continuous product improvements, JLG Industries reserves the right to make specification and/or equipment changes without prior notification.



JLG EMEA BV

Polaris Avenue 63
2132 JH Hoofddorp
The Netherlands
Phone: +31 (0)23 565 5665
www.jlg.com

An Oshkosh Corporation Company