

# MANISCOPIC


# ■ MT 1436 R PRIVILEGE




- Maximum lifting height : 13.52 m
- Capacity : 3600 kg
- Maximum forward reach : 9.42 m
- Torque convertor
- Hydraulic stabilizers
- Frame levelling :  $\pm 9^\circ$


 **MANITOU**

# MT 1436 R **PRIVILEGE**


 **Lifting capacity** .....3600 kg  
at 500 mm from forks heels.  
Tipping load at maximum reach :  
with stabilizers .....1260 kg  
Tear out force with bucket  
to ISO 8313 .....7000 daN


 **Lifting height** .....13.52 m  
**Times : unladen / loaded (in s)**  
Lifting .....16/16.2  
Lowering .....13.5/13.2  
Extension boom .....26.4/27.5  
Retraction boom .....14.5/14  
Crowd .....4.1  
Dump .....3.5

 **Tyres** .....400/80-24


 **Forks (mm)**  
Length .....1200  
Width x thickness .....125 X 50  
Maximum distance between forks .....1040  
Carriage rotation .....126°


 **Multidisc brakes - hydraulically assisted on both axles**

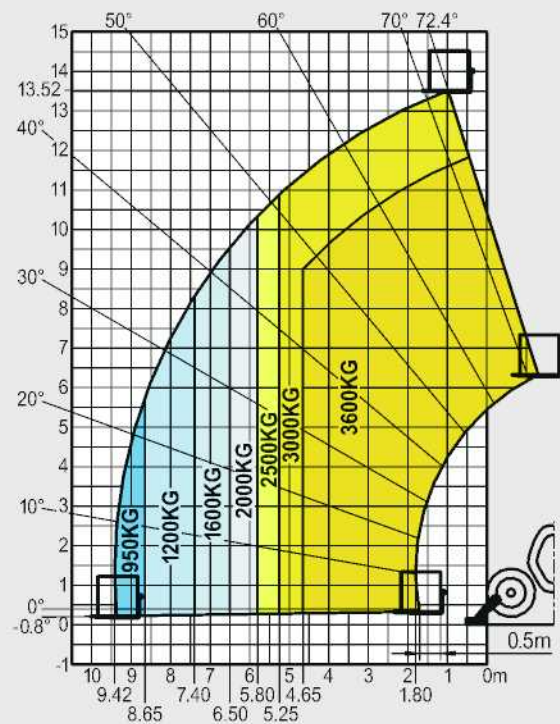
 **PERKINS Engine**  
Type .....1104C.44  
Capacity .....4 cylindres - 4400 cm<sup>3</sup>  
Power :  
(ISO/TR 14396) .....87 HP/64 kW at 2200 rpm  
Maximum torque .....308 Nm at 1400 rpm  
Direct Injection  
Water Cooling

 **Transmission** .....Torque convertor  
Electro-hydraulic reversing shift  
4 speeds forward and reverse  
Maximum travel speed (km/h) .....25

 **Hydraulics**  
Pump .....gear type  
pressure/capacity .....270 bars/103 l/mn

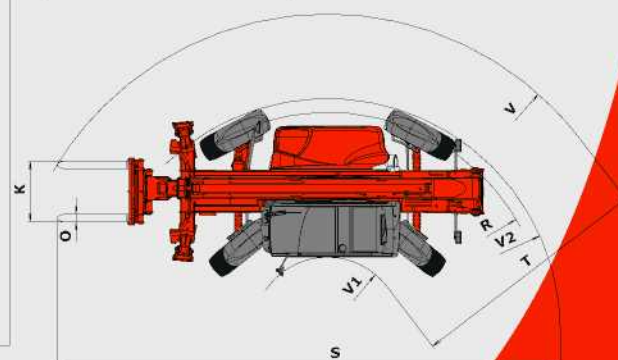
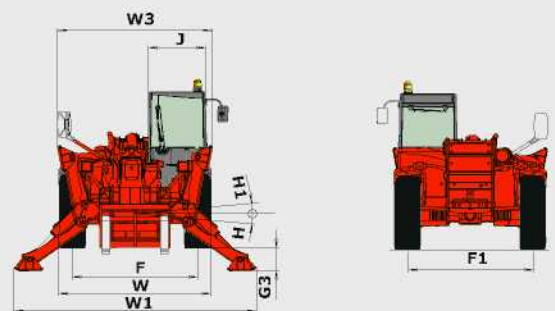
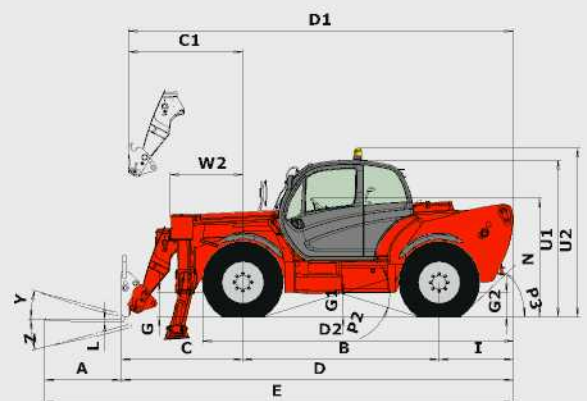
 **Capacities**  
Cooling system .....20 l.  
Engine oil .....10.9 l.  
Hydraulic oil .....135 l.  
Transmission oil .....23 l.  
Fuel tank .....140 l.

 **Weight unladen** .....9475 kg  
**Overall width** .....2.37 m  
**Overall height** .....2.45 m  
**Turning radius (outside wheels)** .....3.98 m  
**Overall Length** .....6.13 m  
**Ground clearance** .....0.38 m  
**Drawbar pull** .....8400 daN



Under  
EN 1459  
annexe B

A	1200
B	3070
C	1905
C1	1790
D	6127
D1	6012
D2	4823
E	7327
F	1960
F1	1960
G	378
G1	361
G2	374
G3	349
H	9
H1	9
I	1152
J	892
K	1040
L	50
N	1849
O	125
P2	33
P3	43
R	3779
S	8610
T	4183
U1	2446
U2	2634
V	5468
V1	1285
V2	3981
W	2365
W1	3793
W2	1134
W3	2422
Y	12
Z	114



The specifications contained herein shall not bind the manufacturer and are subject to change without notice. This equipment described in this leaflet may be standard, optional, or unavailable, depending on the versions. For more details, contact your MANITOU dealer.



**MANITOU BF SA**  
B.P. 249 - 44158 Ancenis Cedex - France  
Tél. : 33 2 40 09 10 11 / Export Department Fax : 33 2 40 09 10 97  
www.manitou.com

700390EN-A - 06/07

