

MANISCOPIC

MT 1233 S SERIE 2

- Maximum lifting height : 12 m
- Capacity : 3300 kg
- Maximum forward reach : 8.32 m
- Torque convertor
- Hydraulic stabilizers



PERKINS ENGINE 1000 SERIES CONFORMS TO EUROPEAN DIRECTIVE 97/68/EEC



MT 1233 S



Lifting capacity 3300 kg
at 500 mm from forks heels.
Tipping load at maximum reach : 1383 kg
Tear out force with bucket
to ISO 8313 7000 daN



Lifting height : 12 m
Times : unladen / loaded (in s)
Lifting 12/12.5
Lowering 8.5/8
Simultaneous extension 1st and 2nd booms .. 15.4/15.4
Simultaneous retraction 1st and 2nd booms .. 12.7/12.2
Time unladen (in s)
Crowd 4.75
Dump 4.2



Tyres
15,5/80 - 24 12 PR SGI



Forks (mm)
Length 1200
Width x thickness 125 X 45
Maximum distance between forks 1040
Carriage rotation 124°



Multidisc brakes - hydraulically assisted on 4 wheels.



PERKINS Engine
Type 1004.42/1004.40 Turbo
Capacity 4 cylindres - 4233 cm³/3990 cm³
Power (ISO/TR 14396) : 81.5 HP/60 kw
at 2200 rpm Turbo 100 HP/74.6 kw
Maximum torque 290 Nm at 1400 rpm
Turbo 402 Nm at 1400 rpm
Direct Injection
Water Cooling



Transmission Torque convertor
Electro-hydraulic reversing shift
4 speeds forward and reverse
Maximum travel speed 25 km/h



Hydraulics
Lifting/tilting pump
gear type: 260 bars/166 l/mn
Flow divider with priority to steering and brakes

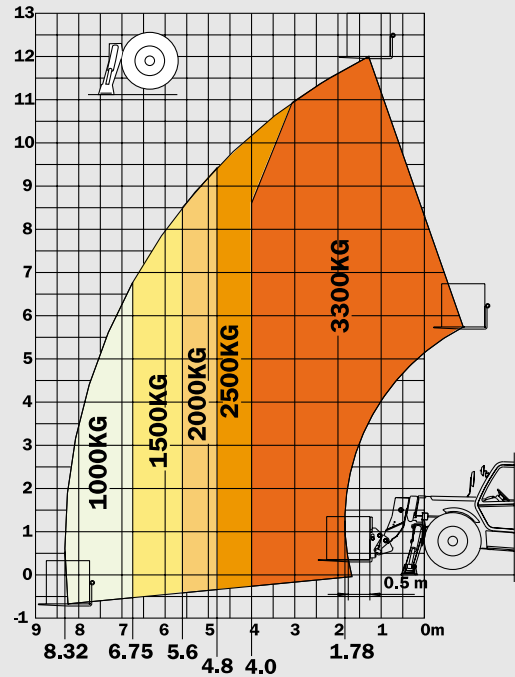


Capacities
Cooling system 24.5 l. (Turbo 26.5 l.)
Engine oil 10.5 l. (Turbo 11 l.)
Hydraulic oil 120 l.
Transmission oil 16 l.
Fuel tank 135 l.

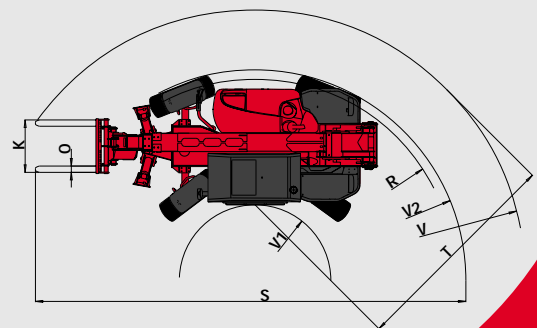
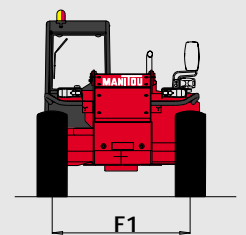
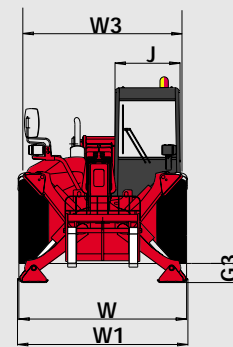
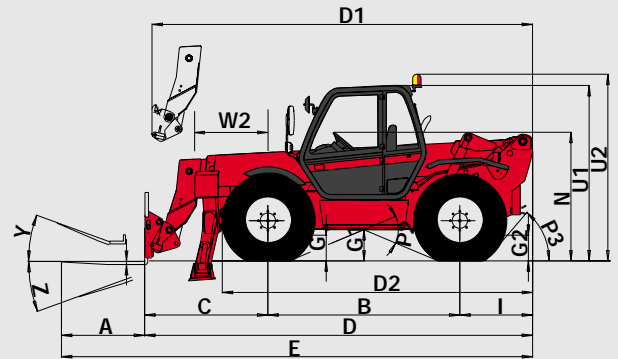


Weight unladen (with forks) 8960 kg
Overall width 2.39 m
Overall height 2.58 m
Turning radius (outside wheels) 4.15 m
Overall length 5.59 m
Ground clearance 0.45 m
Drawbar pull 7500 daN (Turbo 8600 daN)

Reach at maximum height : 1.85 m



A	1200
B	2770
C	1770
C1	1695
D	5590
D1	5515
D2	4420
E	6790
F	1990
F1	1990
G	450
G1	445
G2	450
G3	275
I	1050
J	950
K	1040
L	45
N	1850
O	125
P2	43,5°
P3	40°
R	3950
S	8505
T	4365
U1	2575
U2	2755
V	5450
V1	1470
V2	4150
W	2390
W1	2320
W2	1225
W3	2035
Y	12°
Z	112°



This publication in no way constitutes an offer and the company reserves the right to alter specification without prior notice.
The MANITOU models presented in this brochure can be supplied complete with optional equipment attachments
PATENTS FR 93 14367 - EP 0 656 315 US PENDING



MANITOU B.F. S.A.
B.P.249 - 44158 ANCENIS CEDEX - FRANCE
TEL : 33 2 40 09 10 11
EXPORT DEPARTMENT FAX : 33 2 40 09 10 97
www.manitou.com